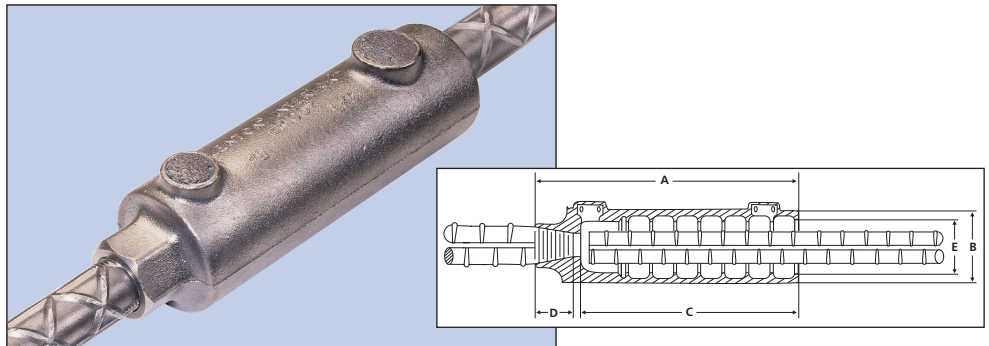


# LENTON® INTERLOK Mechanical Rebar Splice

## Features

- Provides structural integrity when joining rebar in precast construction
- Offers cost effectiveness, speed and increased design flexibility
- Allows load-bearing applications such as columns beams and shear walls to be incorporated into projects using segmental precast construction
- Joins #6 (20 mm) through #18 (57 mm) rebar, conforming to ASTM® A615, A706, CSA or BS standards
- Forgiving to misalignment
- Capable of exceeding ACI®, UBC® and IBC® Building Code Requirements for Type 1 and Type 2. Exceeds BS splice requirements



## Description

The LENTON® INTERLOK splice is specifically designed to structurally join precast structural elements such as columns and shearwalls. At the precast plant, the sleeve is joined to the LENTON® threaded rebar and positioned within the form. At the jobsite, the LENTON INTERLOK sleeve is filled with a proprietary cementitious grout, creating an interlocking bond between the coupler and the adjoining bar. Bars can be purchased pre-threaded or ERICO® can furnish the precaster with a LENTON threading machine. Contact ERICO for your nearest supplier.

## Splice Performance

The assembled connection is capable of exceeding the ACI®, UBC®, and IBC® (ICC®-ES ER-3967) Building Code requirements for full tension mechanical splice Type 1 and 2. For a copy of the ICC-ES ER-3967 report, please visit [www.erico.com](http://www.erico.com).

## Typical Applications

Precast Construction:

- Precast Shearwalls
- Precast Columns
- Bridges
- Air Traffic Control Towers
- Stadiums

| Bar Size | Part No. | "A" Dim. | "B" Dia. | "C" Dim. | "D" Thread | "E" Dia. | Weight | Qty/Box |
|----------|----------|----------|----------|----------|------------|----------|--------|---------|
| #6       | LK6      | 7-5/8    | 2-7/16   | 6-1/8    | 1-1/8      | 1-7/8    | 3.6    | 12      |
| #7       | LK7      | 7-5/8    | 2-7/16   | 6-1/8    | 1-1/4      | 1-7/8    | 3.7    | 12      |
| #8       | LK8      | 8-5/8    | 2-5/8    | 7        | 1-3/8      | 2        | 4.7    | 8       |
| #9       | LK9      | 9-3/4    | 2-3/4    | 8        | 1-1/2      | 2-1/8    | 5.4    | 8       |
| #10      | LK10     | 10-13/16 | 2-15/16  | 9        | 1-9/16     | 2-5/16   | 6.3    | 8       |
| #11      | LK11     | 12       | 3-1/8    | 9-7/8    | 1-11/16    | 2-7/16   | 7.9    | 8       |
| #14      | LKT14    | 15       | 3-11/16  | 12-3/4   | 2-1/8      | 2-3/4    | 15.8   | 4       |
| #18      | LKT18    | 20-5/16  | 4-1/2    | 17       | 2-3/4      | 3-1/4    | 44.0   | 2*      |

\*Shipped on pallet

### WARNING

ERICO products shall be installed and used only as indicated in ERICO's product instruction sheets and training materials. Instruction sheets are available at [www.erico.com](http://www.erico.com) and from your ERICO customer service representative. Improper installation, misuse, misapplication or other failure to completely follow ERICO's instructions and warnings may cause product malfunction, property damage, serious bodily injury and death.

ASTM is a registered trademark of ASTM International. CSA is a copyright of the Canadian Standards Association International. ACI is a registered trademark of the American Concrete Institute. UBC is a registered trademark of the International Conference of Building Officials. IBC is a registered trademark of the International Building Code. ICC Electrical Code is a registered trademark of the International Code Council.

Copyright ©2005 ERICO International Corporation. All rights reserved.

CADDY, CADWELD, CRITEC, ERICO, ERIFLEX, ERITECH, and LENTON are registered trademarks of ERICO International Corporation.

Phone: 800-248-2677

Fax: 800-462-4712

[www.erico.com](http://www.erico.com)